

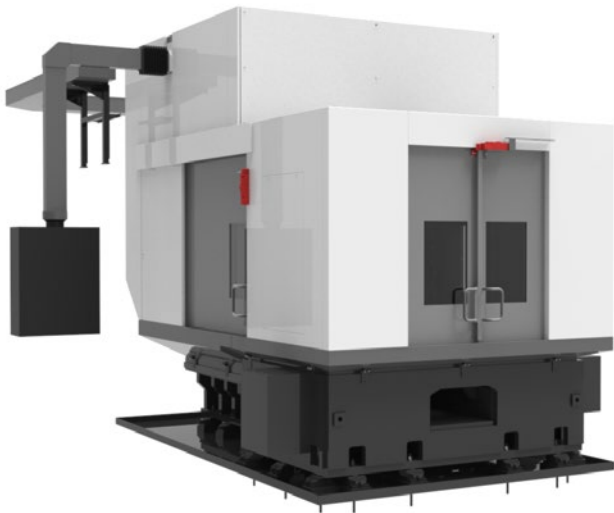


# KB

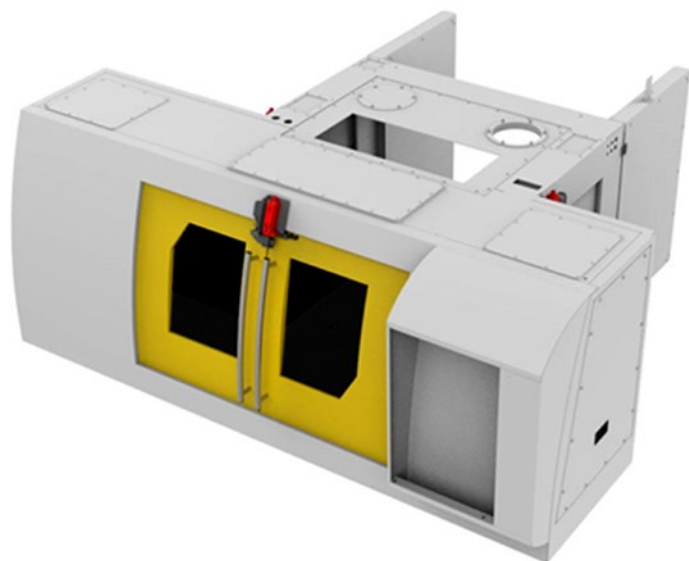
## PROTECTIVE TOOL MACHINE CABINS

Astos Machinery has the experience and hence the ability to solve the very specific and technically advanced solutions for covering not only the working area but also the whole tool machine., ie machinery housing. As an additional program we supply also the crew cabs. All our tool machine housing and cabs meet the health and safety measures with regard to required puncture resistance. Our products comply with the environmental requirements for exhaust, vapour recovery and air quality. We supply the covering in modern sleek designs.

We design and fabricate fences for whole technological units and machinery systems as part of our solution to tool machinery foot print reduction.



*Protective housing for multiple spindle tool machines with automatic tool changer.*



*Cab for grinders*