



# FS

## FILTRATION STATIONS

### Filter station

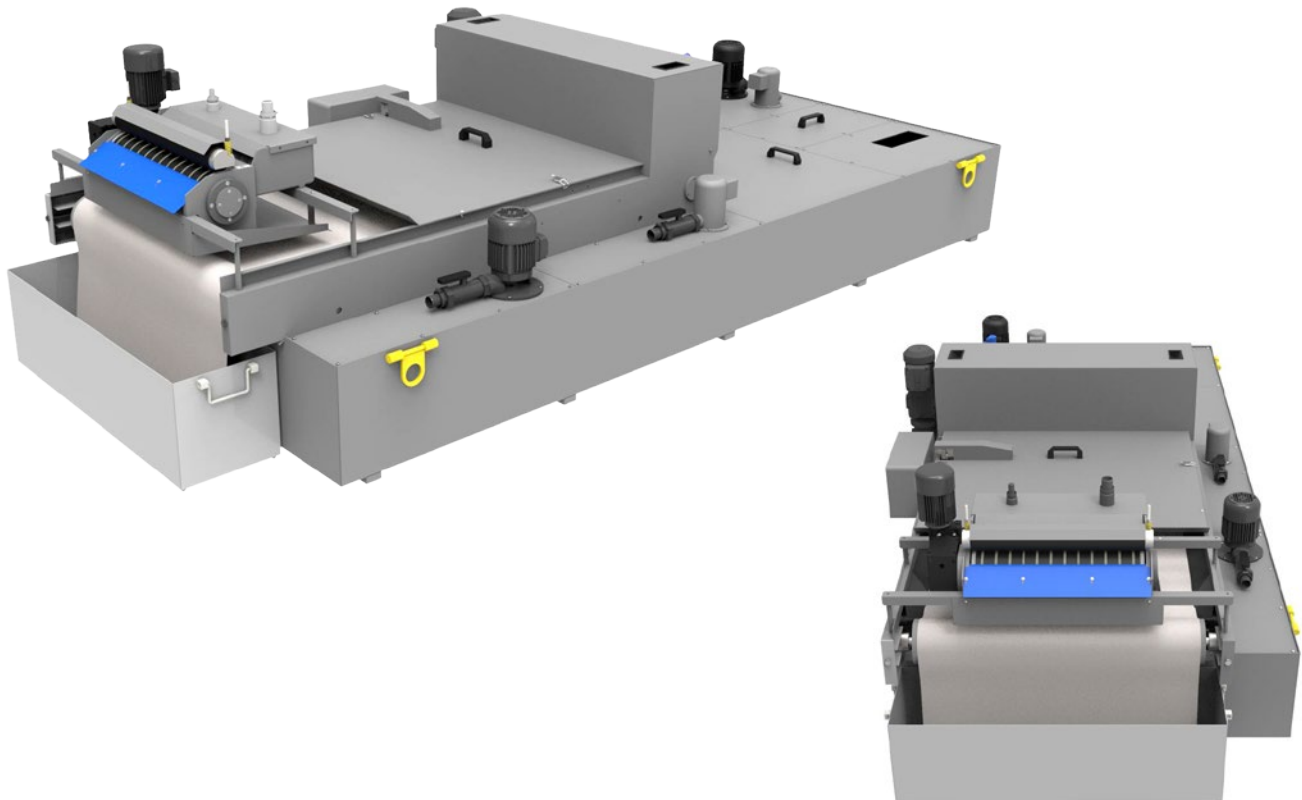
By filter station we describe a combination of a band filter, magnetic separator and a tank for filtering a valuable coolant liquid of tool machinery.

We offer the filtration stations which eliminate the impurities with fineness up to 35 microns and with the flow capacity up to 200 l per minute.

Filtration station fitted with the filtration fabric can clean the impurities up to 20 microns, provided the decrement of the coolant flow.

### Technical description:

- Filtration stations can be manufactured in left or right hand versions
- fitted according to customer needs with pumps, oil separators, level valves, flow gauges, etc.
- Electro scheme can be adjusted to customer's specific need
- Tanks can vary in form or volume according to customers specification
- Two measures of filtration fabric are supplied as a standard

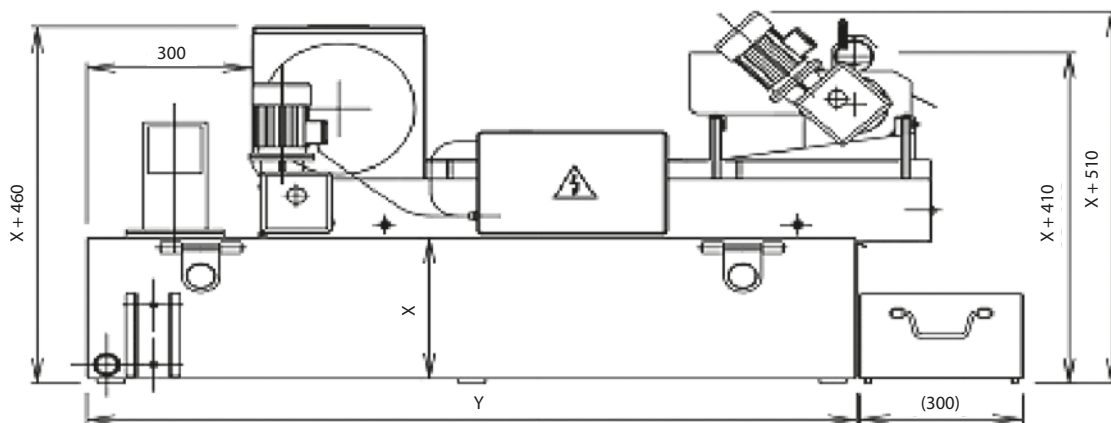




# FS

## FILTER STATIONS

Dimensions of filtration station FS63 - FS 200



TYPE	FILTRATION PERFORMANCE	INPUT CIRCUIT	DIMENSIONS IN mm			
			A	Y	Z	X
FS 63	63 Liter / Minute	2 x 0,09 kW	198	1420	610	= 1,17 x Tank volume in Liters
FS 100	100 Liter / Minute	2 x 0,09 kW	322	1820	710	= 1,10 x Tank volume in Liters
FS 150	150 Liter / Minute	2 x 0,09 kW	526	2000	1100	= 1,08 x Tank volume in Liters
FS 200	200 Liter / Minute	2 x 0,12 kW	526	2000	1500	= 1,07 x Tank volume in Liters