



## MS

## MAGNETIC SEPARATOR

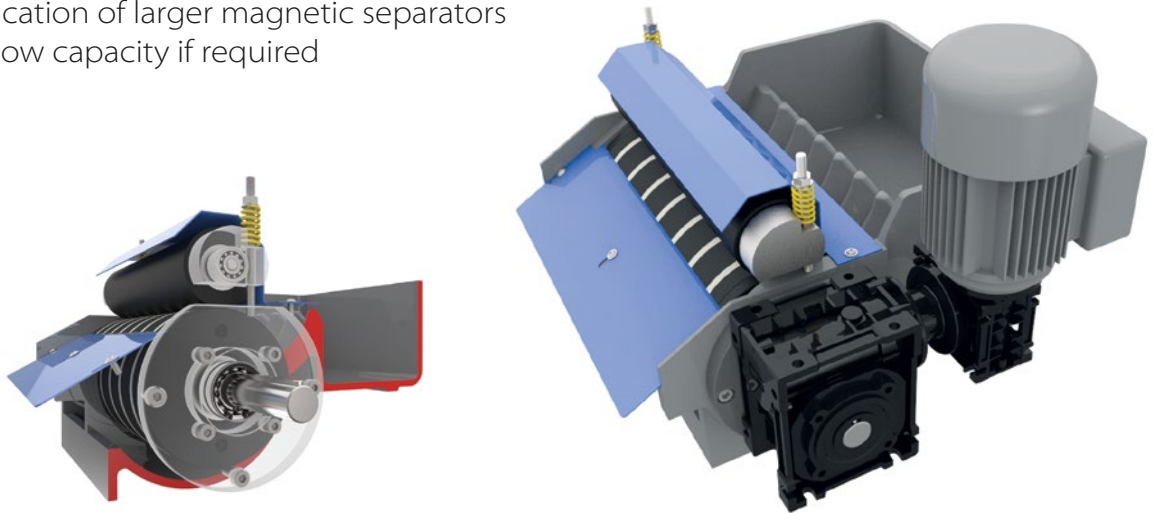
Magnetic separators are designed to remove magnetic metal impurities from the contaminated industrial coolants.

MS – Magnetic separators are available in two standard models for flow rates:

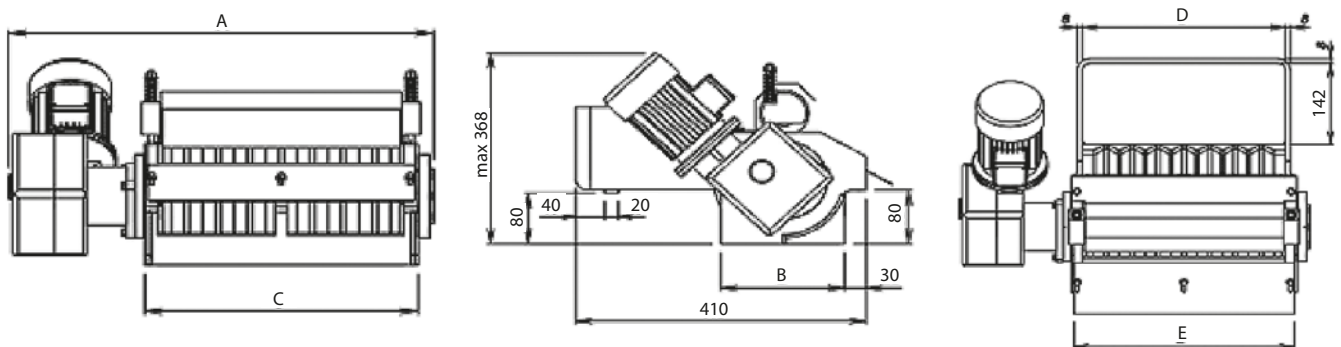
- MS 63 - max. flow 63 l per minute
- MS 100 - max. flow 100 l per minute

### Technical description:

- Available in right hand and left hand versions
- Ideal to be combined into a system with a band filter
- According to customers requirement MS can also be fitted with a tank
- We offer fabrication of larger magnetic separators with higher flow capacity if required



Dimensions of standard separators: MS 63 - MS 100



TYPE	FILTRATION PERFORMANCE	INPUT CIRCUIT	DIMENSIONS IN mm				
			A	B	C	D	E
MS 63	63 Liter / Minute	0,09 kW	432	168	234	198	225
MS 100	100 Liter / Minute	0,09 kW	556	175	358	322	349