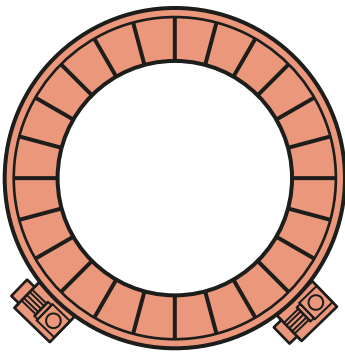




Our circular carousel chip conveyor is a unique solution by Astos Machinery. This has been developed as a result of implementing different specific scraper conveyors to find the suitable solution for material conveying from carousel horizontal lathes. The technical solution is protected as the European Patent office utility model.

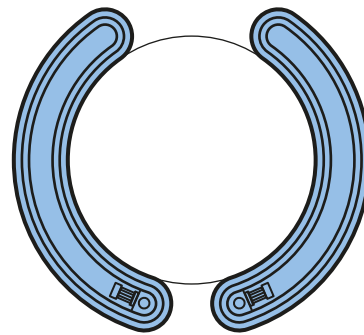
It is available in two different types:

Full circle



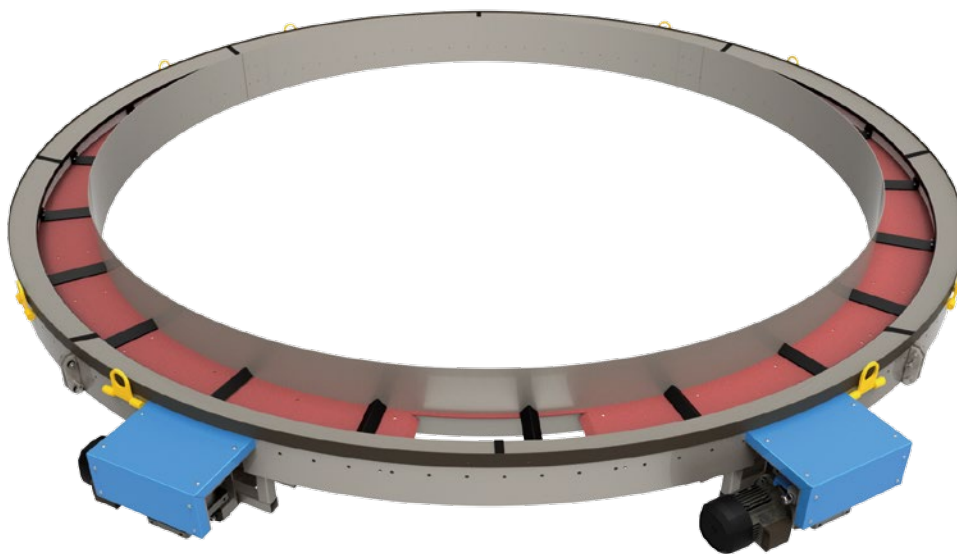
i.e. fully enclosed circle used if the integration of the conveyor to the whole working area of the table is possible.

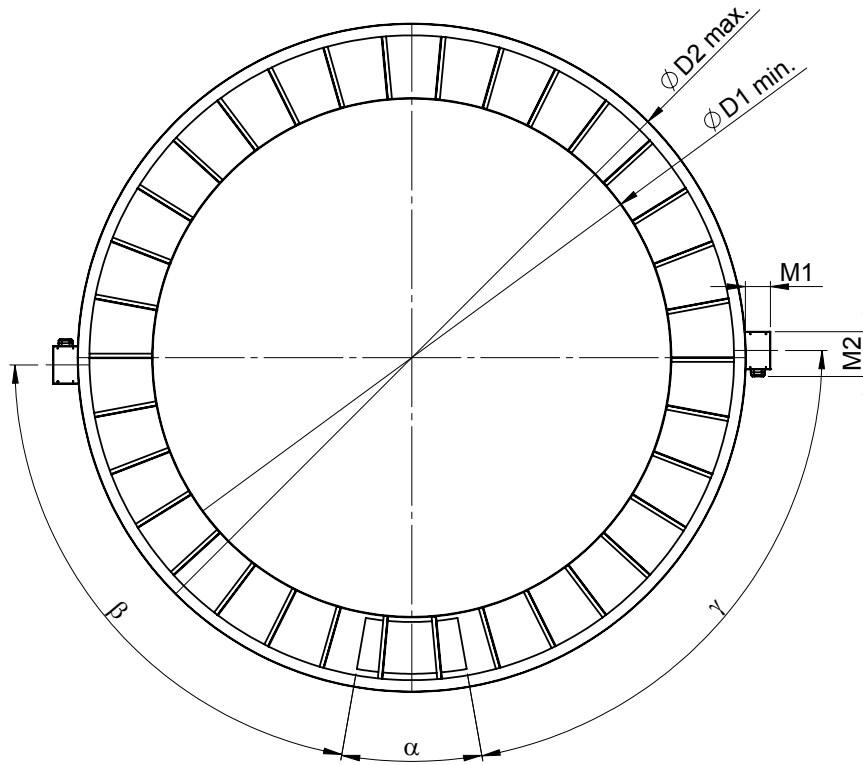
Segmented



i.e. sector of the circle is used if the circumference of the table is divided by some obstacle e.g. stand, pillar etc.

The carousel chip conveyor is always individually designed by Construction Department of Astos Machinery a.s. , conforming to exact dimensions of carousel lathes machines.

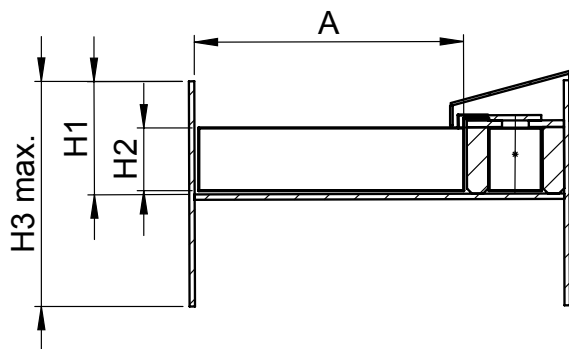




DRIVE DIMENSIONS FOR CONVEYOR M1, M2

Dimensions (ca.)	M1 x M2
$\phi D2 \leq 4000 \text{ mm}$	300 x 600 mm
$\phi D2 > 4000 \text{ mm}$	600 x 1000 mm

Exact dimensions will be specified by the Construction Department of Astos Machinery a.s.



DIMENSIONS SELECTED BY CUSTOMERS

$\phi D1 \text{ min.}$	inner diameter [mm]
$\phi D2 \text{ max.}$	external diameter [mm]
α – angle alpha	dimension of discharging area
β – angle beta	dimension to drive 1
γ – angle gamma	dimension to drive 2
A	width of working load area
H1	the height of the case
H2	the height of scrapers
H3	maximal height of the conveyor